



TRITON®

FIBERGLASS SAND FILTER

MODELS: TR 40, TR 50, TR 60, TR 100, TR 140, TR 100HD,
TR 100C, TR 140C, TR 100C-3, TR 140C-3 and TR 60 with
CLEARPRO TECHNOLOGY™



ENGLISH 1

ESPAÑOL 21

FRANÇAIS 45

INSTALLATION AND USER'S GUIDE

IMPORTANT SAFETY INSTRUCTIONS
READ AND FOLLOW ALL INSTRUCTIONS
SAVE THESE INSTRUCTIONS

CUSTOMER SERVICE / TECHNICAL SUPPORT

If you have questions about ordering Pentair Aquatic Systems replacement parts, and pool products, please contact:

Customer Service and Technical Support, USA

(8 A.M. to 4:30 P.M. — Eastern/Pacific Times)

Phone: (800) 831-7133

Fax: (800) 284-4151

Web site

Visit www.pentairpool.com or www.staritepool.com for information about Pentair products.

Sanford, North Carolina (8 A.M. to 4:30 P.M. ET)

Phone: (919) 566-8000

Fax: (919) 566-8920

Moorpark, California (8 A.M. to 4:30 P.M. PT)

Phone: (805) 553-5000 (Ext. 5591)

Fax: (805) 553-5515

TABLE OF CONTENTS

Important Warnings and Safety Precautions	ii	Section 4: Troubleshooting	10
Section 1: Introduction	1	Section 5: Replacement Parts	12
Triton Fiberglass Sand Filters Overview	1	Filter Pressure Drop Curve	12
General Features	2	Installing Multiple Triton Filter (Tandem Filter Piping Kits)	12
Section 2: Installation	3	Triton II & TR60 ClearPro Replacement Parts	13
Installing the Filter	3	Triton 100HD, 100C & 140C Replacement Parts	16
How the Filter Works	3	Triton 100C-3 & 140C-3 Replacement Parts	18
Installing the Closures	5		
Initial Start-Up	6		
Section 3: Maintenance	7		
Filter Care	7		
Filter Cleaning	7		
Filter Backwash Procedure	8		
Chemical Cleaning Procedure	9		
Winterizing the Filter	9		

© 2015 Pentair Water Pool and Spa, Inc. All rights reserved.

This document is subject to change without notice.

1620 Hawkins Ave., Sanford, NC 27330 • (919) 566-8000
10951 West Los Angeles Ave., Moorpark, CA 93021 • (805) 553-5000



MEMBER
NATIONAL
SPA & POOL
INSTITUTE

All Pentair trademarks and logos are owned by Pentair or one of its global affiliates. Pentair Aquatic Systems™, Triton® and ClearPro Technology™ are trademarks and/or registered trademarks of Pentair Water Pool and Spa, Inc. and/or its affiliated companies in the United States and/ or other countries. Unless expressly noted, names and brands of third parties that may be used in this document are not used to indicate an affiliation or endorsement between the owners of these names and brands and Pentair Water Pool and Spa, Inc. Those names and brands may be the trademarks or registered trademarks of those third parties. Because we are continuously improving our products and services, Pentair reserves the right to change specifications without prior notice. Pentair is an equal opportunity employer.

IMPORTANT WARNING AND SAFETY INSTRUCTIONS



IMPORTANT NOTICE:

This guide provides installation and operation instructions for the Triton® Series Fiberglass Sand Filters. Consult Pentair Water Pool and Spa, Inc. with any questions regarding this equipment.

Attention Installer: This guide contains important information about the installation, operation and safe usage of this product. This information should be given to the owner and/or operator of this equipment after installation or left on or near the filter.


Attention User: This manual contains important information that will help you in operating and maintaining this filter. Please retain it for future reference.



WARNING

Before installing this product, read and follow all warning notices and instructions which are included. Failure to follow safety warnings and instructions can result in severe injury, death, or property damage. Call (800) 831-7133 for additional free copies of these instructions.

Consumer Information and Safety

The Triton Series Sand Filters are designed and manufactured to provide many years of safe and reliable service when installed, operated and maintained according to the information in this manual and the installation codes referred to in later sections. Throughout the manual, safety warnings and cautions are identified by the “” symbol. Be sure to read and comply with all of the warnings and cautions.

THIS FILTER OPERATES UNDER HIGH PRESSURE



WARNING

When any part of the circulating system, (e.g., closure, pump, filter, valve(s), etc.), is serviced, air can enter the system and become pressurized. Pressurized air can cause the top closure to separate which can result in severe injury, death, or property damage. To avoid this potential hazard, follow these instructions:



1. If you are not familiar with your pool filtering system and/or heater:
 - a. **Do NOT** attempt to adjust or service without consulting your dealer, or a qualified pool technician.
 - b. Read the entire Installation & User's Guide before attempting to use, service or adjust the pool filtering system or heater.
2. Before repositioning valve(s) and before beginning the assembly, disassembly, or any other service of the circulating system: (A) Turn the pump **OFF** and **shut OFF** any automatic controls to ensure the system is NOT inadvertently started during the servicing; (B) open the manual air bleeder valve; (C) wait until all pressure is relieved.
3. Whenever installing the filter closure **FOLLOW THE FILTER CLOSURE WARNINGS EXACTLY.**
4. Once service on the circulating system is complete **FOLLOW INITIAL START-UP INSTRUCTIONS EXACTLY.**
5. Maintain circulation system properly. Replace worn or damaged parts immediately, (e.g., closure, pressure gauge, valve(s), o-rings, etc).
6. Be sure that the filter is properly mounted and positioned according to instructions provided.

IMPORTANT WARNING AND SAFETY INSTRUCTIONS

WARNING

This filter must be installed by a licensed or certified electrician or a qualified pool serviceman in accordance with the National Electrical Code and all applicable local codes and ordinances. Improper installation could result in death or serious injury to pool users, installers, or others and may also cause damage to property.

Always disconnect power to the pool circulating system at the circuit breaker before servicing the filter. Ensure that the disconnected circuit is locked out or properly tagged so that it cannot be switched on while you are working on the filter. Failure to do so could result in serious injury or death to serviceman, pool users or others due to electric shock.

WARNING

Do not operate the filter until you have read and understand clearly all the operating instructions and warning messages for all equipment that is a part of the pool circulating system. The following instructions are intended as a guide for initially operating the filter in a general pool installation. Failure to follow all operating instructions and warning messages can result in property damage or severe personal injury or death.

WARNING

To reduce the risk of injury, do not permit children to use this product unless they are closely supervised at all times.

WARNING



Due to the potential risk that can be involved it is recommended that the pressure test be kept to the minimum time required by the local code. Do not allow people to work around the system when the circulation system is under pressure test. Post appropriate warning signs and establish a barrier around the pressurized equipment. If the equipment is located in an equipment room, lock the door and post a warning sign.

Never attempt to adjust any closures or lids or attempt to remove or tighten bolts when the system is pressurized. These actions can cause the closure to separate and could cause severe personal injury or death if they were to strike a person.

WARNING



Never exceed the maximum operating pressure of the system components. Exceeding these limits could result in a component failing under pressure. This instantaneous release of energy can cause the closure to separate and could cause severe personal injury or death if they were to strike a person.

Section 1

Introduction

Triton® Fiberglass Sand Filters Overview

Triton® II Sand Filters

The Triton II filter is the result of over 40 years of product evolution and refinement. It has set the industry standard for effectiveness, efficiency, long runs between service, and providing years of dependable, low maintenance operation.

The Triton II filter features a special internal design that keeps the sand bed level, ensuring even water flow, and resulting in the most efficient filtration possible.

The Triton II filter provides superior filtration performance and delivers a level of dependability and ease of operation and maintenance for a track record that's unsurpassed. Every design detail has been refined to make Triton II the industry standard.

Triton® C and Triton® C-3 Commercial Sand Filters

This filter series features multiple diverters for increased filtration rates in commercial applications up to 20 GPM/Sq. Ft.

Triton® HD Side Mount Sand Filters

All the same great performance and features of the original Triton's with maximum operating pressure of 75 psi for those special high pressure installations such as single pump in-floor cleaning systems.



General Features

Triton® II

- Time-proven internal design ensures that all water receives maximum filtration for crystal clear results
- GlasLok™ process creates a one-piece, fiberglass reinforced tank with a UV-resistant coating for years of dependable, corrosion-resistant service
- Flow system design controls filtration quality and ensures maximum run times between backwashing to save you time

Triton® C and Triton® C-3

- Maximum Operating Pressure 50 psi
- Full 2 in. drain
- 8 in. opening for easy access to sand bed
- The Triton C-3 features standard 3 in. flange connections
- TR100C & TR140C models are available in black or almond
- TR100C-3 & TR140C-3 models are available in black only

Triton® HD

- Maximum Operating Pressure 75 psi

Additional Features:

- Combination sand and water drain speeds servicing and winterizing
- All internal parts are threaded for ease of maintenance
- Swing-away water diffuser allows instant access to sand and all internal parts
- NSF-Listed

Section 2

Installation

NOTE: Before installing this product, read and follow all warning notices and instructions starting on page ii.

Installing the Triton® Fiberglass Sand Filter

Only a qualified service person should install the Triton Fiberglass Sand Filter. This filter is designed and intended for use to filter water.

Introduction

The following general information describes how to install the Triton Fiberglass Sand Filter. This filter operates under pressure and if assembled improperly or operated with air in the water circulation system, the top closure can separate and result in an accident causing property damage or serious bodily injury. A warning label has been affixed to the top of the filter and should not be removed. Keep safety labels in good condition and replace if missing or illegible.

How the Filter works

The high rate sand filter is designed to operate for years with a minimum of maintenance and when installed, operated and maintained in accordance with these instructions, it will provide years of trouble free operation.

Dirt is collected in the filter as the water flows through the control valve at the side of the filter and is directed into the top bulkhead. Dirty water flows into the diffuser at the top of the tank and is directed downward into the top surface of the filter sand bed. The dirt is collected in the sand bed and the clean water flows through the laterals and lower piping at the bottom of the filter up into the lower bulkhead. The flow then goes into the control valve at the side of the filter. Clean water is returned through the piping system into the pool.

The pressure will rise and the flow to the pool will be lowered as the dirt is collected in the filter. Eventually, the filter will become so plugged with dirt that it will be necessary to perform the backwash procedure. It is important to know when to backwash the filter. Backwashing is discussed further under the subsequent sections of this guide.

Please note that a filter removes suspended matter and does not sanitize the pool. The pool water must be sanitized and the water must be chemically balanced for sparkling clear water. Your filtration system should be designed to meet your local health codes. As a minimum, you must be sure that your system will turn over the total volume of water in your pool at least two to four times in a twenty-four hour period.

Refer to **Table 1** for Filter Operation Data.

Table 1.

FILTER MODEL MODEL	FILTER AREA (Sq. Ft.)	Flow Rate *(GPM) @20 GPM/FT ²	Turnover Capacity (Gallons) (Based on 20 GPM / Sq. Ft.)*			
			4 TURNS PER DAY	3 TURNS PER DAY	2.4 TURNS PER DAY	2 TURNS PER DAY
TR40	1.92	38	13,680	18,240	22,800	27,360
TR50	2.46	49	17,640	23,520	29,400	35,280
TR60	3.14	63	22,680	30,240	37,800	45,360
TR60 ClearPro	3.14	63	22,680	30,240	37,800	45,360
TR100	4.91	74	26,640	35,520	44,400	53,280
TR100HD	4.91	74	26,640	35,520	44,400	53,280
TR100C/TR100C-3	4.91	98	35,280	47,040	58,800	70,560
TR140	7.06	106	38,160	50,880	63,600	76,320
TR140C/TR140C-3	7.06	141	50,760	67,680	84,600	101,520

*TR100, TR100HD AND TR140 ARE BASED ON 15 GPM/SQ. FT.

WARNING

Failure to operate your filter system or inadequate filtration can cause poor water clarity obstructing visibility in your pool and can allow diving into or on top of obscured objects which can cause serious personal injury or drowning.

Clear water is the result of proper filtration as well as proper water chemistry. Pool chemistry is a specialized area and you should consult your local pool service specialist for specific details. In general, proper pool sanitation requires a free chlorine level of 1 to 3 PPM and a pH range of 7.2 to 7.6.

WARNING

Filters should never be tested or subjected to air or gas under pressure. All gases are compressible and under pressure create a danger. Severe bodily injury or property damage could occur if the filter is subjected to air or gas pressure.

1. Check carton for any evidence of damage due to rough handling in shipment. If carton or any filter components are damaged, notify the freight carrier immediately.
2. Carefully remove the accessory package and the filter tank from the carton.
3. Mount the filter on a permanent slab, preferably concrete poured in a form or on a platform constructed of concrete block or brick. **DO NOT** use sand to level the filter or for the pump mounting, as it will wash away.
4. Provide space and lighting for routine maintenance access. Do not mount electrical controls over the filter. One needs to be able to stand clear of the filter when starting the pump. Minimum space requirements may be found on the large nameplate on the filter.
5. Position filter so that the port locations are in the desired final positions. Follow valve installation procedures.
6. If you have a Multiport Valve, assemble the valve to the tank, being sure the o-ring on the valve fittings are in place and are clean. Use a lubricant, applied lightly, such as silicone grease, Dow #33, #40 or GE 300 or 623, or similar product on o-rings and o-ring grooves prior to assembly.
7. If you have a two position slide valve, align the valve with the tank so that the handle is toward the top of the tank, push valve into ports and turn the valve nuts snugly on the tank fittings. It is not necessary to cinch the valve nuts to the tank fitting beyond hand tightness.
8. The shipping straps used to support the TR100C-3, TR140C and the TR140C-3 multi-diffuser should be removed before loading sand and gravel in the filter.
9. Sand specifications – be certain the proper sand is used as described in Table 2. Before pouring the sand into the filter, look inside and check the lower under-drain for broken or loose laterals (or fingers), which may have been accidentally damaged by rough handling during shipment. Replace any broken parts if necessary.

NOTE: The free board distance is the most important variable and should be maintained. Sand density will vary and therefore sand amount is given as a reference.

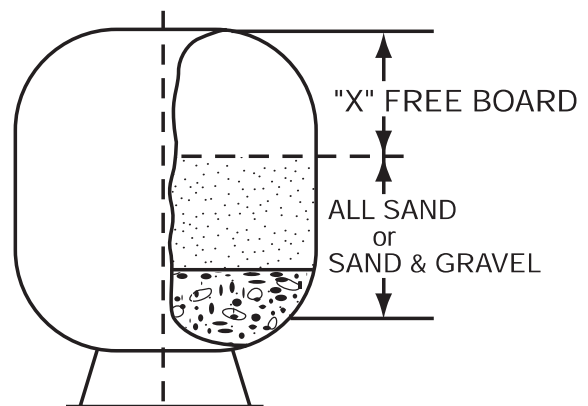
Table 2.

MODEL	FREE BOARD "X"	ALL SAND* (POUNDS)	FILTER MEDIA† (POUNDS)	
			PEA GRAVEL‡	SAND
TR40	8 1/4"	175	50	125
TR50	9 3/4"	225	50	175
TR60	10 1/2"	325	50	275
TR60 ClearPro	10 1/2"	325	50	275
TR100	11 1/4"	600	150	450
TR100HD	11 1/4"	600	150	450
TR100C-3	11 1/4"	600	150	450
TR140	13 1/2"	925	275	650
TR140C-3	13 1/2"	925	275	650

† Media required to meet NSF requirements.

‡ Pea Gravel to be 1/4" to 1/8" diameter.

* Sand to be No. 20 standard silica (uniformity coefficient not greater than 1.75) .018-.020 in diameter particle size.



WARNING

Failure to position the Automatic Air Vent inside of the Closure will allow excessive trapped air to accumulate in the filter. Trapped air and the closure not properly closed can cause the closure to separate and could cause severe bodily injury and/or property damage.

- Pivot the diffuser out of the center of the tank on the TR40, 50, 60, TR60 ClearPro, 100 & 140 by rotating the diffuser assembly counter clockwise. (**NOTE:** The multi-diffuser assembly should not be moved on models TR100HD, TR100C, TR100C-3 and TR140C, TR140C-3. After installing the filter media as described below, check to make sure the tops on the diffusers are parallel to the top of the sand bed.) Fill the tank about half full of water. Pour pea gravel first (if used) and then the sand into the top of the filter at a slow rate so that the impact of the filter media does not damage the laterals. See Table 2 for the proper amounts of sand and gravel. Fill filter to the proper level to maintain freeboard, as shown in Table 2. Pivot the diffuser assembly back to its vertical position if it was moved. Be certain the automatic air vent is protruding into the top of the closure as indicated below in Figure 1. Ensure that the automatic air vent is in the center of the filter closure. Wash away all sand around the threaded opening at the top of the tank.

WARNING**For Threaded Closures**

Use care when installing closure. The closure should turn freely in the filter, if resistance to closure insertion is felt, then slowly remove the closure by turning counter-clockwise. The starting thread of the tank and closure must engage properly in order to secure the closure. *Do not cross-thread closure.*

Failure to install the closure properly can cause the closure to separate and could cause severe bodily injury and/or property damage.

WARNING**For Oval Closures**

Use care when installing closure. The closure should be inserted into the tank by placing the small diameter of the oval closure into the larger diameter of the tank opening. Insert the side of the closure that does not have the pressure gauge and air bleeder first. The closure will need to be inserted at a 30° angle. Once the closure is inside the tank, it can be rotated 90° and lifted up to seal the tank. The aluminum bridge with load spring can then be placed over the closure bolt and the hand knob tightened to load the closure properly. The knob should be tightened by hand only. **DO NOT USE A WRENCH TO TIGHTEN THE KNOB.** You could damage the tank or closure and cause a failure by using a wrench. Failure to install the closure properly can cause the closure to separate and could cause severe bodily injury or property damage.



NEVER ATTEMPT TO TIGHTEN OR LOOSEN THE CLOSURE WITH THE PUMP RUNNING. Failure to follow this instruction can result in the closure separating and causing severe bodily injury or property damage.

- Assemble the pressure gauge and bleeder valve to the closure lid. Clean the lid o-ring and lubricate with silicone grease such as Dow #33, 40 or GE 300, 623 lubricant. Place the closure lid on the filter and tighten, making certain the air vent is up inside the dome of the closure.
- With the plastic wrench, provided with the filter, tighten the closure as tight as possible using two hands on the wrench handles. As a minimum, the closure must be hand tight + 1/4 turn.
- The oval closure that is used on the TR140C-3 and the TR100C-3 models will need to be installed as described in the above warning note for oval closures.
- Assemble piping and pipe fittings to pump and valve. All piping must conform to local and state plumbing and sanitary needs.
- Use sealant compounds on all male connections of pipe and fittings. Use only pipe compounds suited for plastic pipe. Support pipe to prevent strains on filter, pump or valve.
- Long piping runs and elbows restrict flow. For best efficiency, use the fewest possible number of fittings, and large diameter pipe (at least 2" for TR100 and TR140, at least 3" for TR100C-3 and TR140C-3).

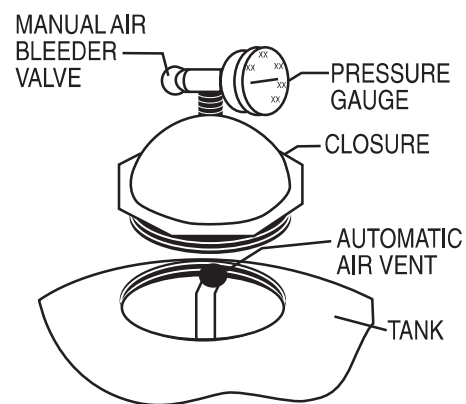


Figure 1.



Operating at excessive vacuum levels can cause the tank to crack and could cause property damage.

17. When installing backwash lines, it is recommended that a vacuum breaker be installed on installations where the backwash line length exceeds 40 ft. or the backwash line discharges more than 10 ft. lower than the surface of the pool. Alternately a vacuum break pit should be provided.
18. A check valve is recommended between the filter and heater to prevent hot water “back-up” which will damage the filter and valve.
19. The maximum operating pressure of the unit is 50 pounds per square inch (psi) and 75 pounds per square inch (psi) for the Triton HD model (only). Never operate this filter above these pressures or attach a pump to this filter that has more than 50 psi shut off pressure or 75 psi shut off pressure for the Triton HD model (only).
20. Never install a chlorinator upstream of the filter. Always locate downstream and with a check valve between the chlorinator and filter.
21. A positive shut off valve is not recommended at the outlet of the filtering system. If the system is ever run with such a valve closed, the internal air relief system becomes inoperative and risk of tank separation could exist. Additionally, running the system with no flow will seriously damage the equipment.
22. Never store pool chemicals within 10 ft. of your pool filter. Pool chemicals should always be stored in a cool, dry well ventilated area.
23. The oval closure used on the TR100C-3 and TR140C-3 is designed to provide a vacuum relief mechanism that protects the tank from vacuum conditions. The closure will allow air to enter the tank if the tank is higher than 8 ft. above the water level. In these cases, when the filter restarts after shut down, you may observe air being returned to the pool in the return fittings. This is not unusual, it is simply the automatic air relief in the filter removing the air in the filter.

Initial Start-up

1. On a new pool, clean the pool before filling the pool with water. Excessive dirt and large particles can cause damage to the pump and filter.
2. Ensure the backwash line is open so that water is free to come from the pool and flow out the backwash line. Set the valve position as follows:
 - a. If using a Multiport valve, set valve to backwash position.
 - b. If using a Two Position Slide Valve, push handle down to backwash position and engage lock by twisting handle.
3. Check pump strainer pot to be sure it is full of water.



Air entering a filter and tank closure not installed properly can cause the closure to separate and could cause severe bodily injury and/or property damage.

4. Check closure on filter for tightness.
5. Open the manual air bleeder on the filter closure. Stand clear of the filter and start the pump allowing it to prime.
6. Close the air bleeder on the closure when all the air is removed from the filter and a steady stream of water emerges.

NOTE: Pool filter sand is typically pre-washed and should not require extensive backwashing. However, the shipping process may cause excessive abrasion which could require an extended backwash cycle at initial start-up; continue to backwash until the backwash water is as clear as the pool water.



To prevent equipment damage and possible injury, always turn the pump off before changing the valve position.

7. Stop the pump. Set the valve position as follows:
 - a. If using a Multiport valve, set the valve to the filter position.
 - b. If using the Two Position Slide Valve, raise the handle to filter position and engage valve lock by twisting handle.
8. Ensure all suction and pool return lines are open so that water is free to come from the pool and return to the pool.
9. Open the manual air bleeder on the filter closure. Stand clear of the filter and start the pump.
10. Close the air bleeder on the filter closure when all the air is removed from the filter and a steady stream of water emerges.
11. The filter has now started its filtering cycle. You should ensure that water is returning to the pool and take note of the operating pressure when the filter is clean.

Section 3

Maintenance

This section describes how to maintain your Triton® Fiberglass Sand Filter.

Filter Care

The filter is a very important part of the pool equipment and installation. Proper care and maintenance will add many years of service and enjoyment to the pool. Follow these suggestions for long trouble-free operations:

1. To clean the exterior of the filter of dust and dirt, wash with a mild detergent and water then hose off. Do not use solvents.
2. If internal maintenance is required, sand may be removed by removing the sand drain from the bottom of the filter and flushing with a garden hose. Pentair Water Pool and Spa, Inc. Sand Vacuum P/N 542090 may also be used.
3. If after a number of years, the filter tank appears foggy in color or rough in texture, the tank surface can be painted. We recommend the use of a Quick Dry Spray Enamel. **Do NOT paint the valve.**



Always visually inspect filter components during normal servicing to ensure structural safety. Replace any item which is cracked, deformed or otherwise visually defective. Defective filter components can allow the filter top or attachments to separate and could cause severe bodily injury or property damage.

4. The filter closure on your Triton Sand Filter was manufactured with high quality corrosion resistant materials. This part should be carefully inspected whenever servicing your filter. If excessive leakage is noted coming from the closure/tank interface, the closure and o-ring should be carefully inspected and replaced if any signs of deterioration exist.
5. Your filter is a pressure vessel and should never be serviced while under pressure. Always relieve tank pressure and open air bleeder on the filter closure before attempting to service your filter.
6. When restarting your filter, always open the manual air bleeder on the filter closure and stand clear of the filter.

Cleaning Frequency

1. The filter on a new pool should be backwashed, and cleaned after approximately 48 hours of operation to clean out plaster dust and/or construction debris.
2. There are three different ways to identify when the filter needs backwashing.
 - a. The most accurate indicator on pool systems with a flow meter is to backwash when the flow decreases 30% from the original (clean filter) flow. For example, if the original flow was 60 GPM, the filter should be backwashed when the flow is reduced by about 20 GPM (or 30%) to 40 GPM.
 - b. A more subjective and less accurate indicator is to observe the amount of water flowing from the flow directionals located in the wall of the pool. The filter should be backwashed once it is detected that the flow has been reduced by about 30%.
 - c. The most commonly used but less accurate indicator is to backwash when the filter gauge reading increases 10 PSI over the initial (clean filter) reading.
3. It is important not to backwash the filter solely on a timed basis such as every three days. It is also important to note that backwashing too frequently actually causes poor filtration. Factors like weather conditions, heavy rains, dust or pollen, and water temperature all affect the frequency of backwash. As you use your pool, you will become aware of these influences.
4. If at any time the starting pressure after backwashing the filter indicates 4 to 6 PSI higher than normal starting pressure, it is time to perform a chemical cleaning procedure.

Filter Backwash Procedure



WARNING To prevent equipment damage and possible injury, always turn off pump before changing valve positions.

1. Stop the pump.
2. Ensure that the suction and backwash lines are open so that water is free to come from the pool and flow out the backwash line. Set control valve position as follows:
 - a. If using a Multiport Valve, set valve to backwash position.
 - b. If using a Two Position Slide Valve, push handle down to backwash position and engage lock by twisting handle.
3. **Stand clear of the filter** and start pump.
4. Backwash filter for approximately 3 to 5 minutes or until backwash water is clean.
5. Stop the pump.
 - a. If using a Multiport Valve, set valve to rinse position and continue with remaining steps.
 - b. If using a Two Position Slide Valve, skip to step 8.
6. **Stand clear of the filter** and start pump.
7. Rinse filter for approximately 30 seconds.
8. Stop the pump and set valve as follows:
 - a. If using a Multiport Valve, set valve to filter position.
 - b. If using a Two Position Slide Valve, raise handle to filter position and engage valve lock by twisting handle.
9. Ensure that pool return line is open so that water may freely flow from the pool back to the pool.
10. Open manual air bleeder on Triton closure. Stand clear of filter and start pump.
11. Close manual air bleeder of the closure when all the air is removed and a steady stream of water emerges from the bleeder.
12. The filter has now started its filtering cycle. You should ensure that water is returning to the pool and take note of the filter pressure.
13. The filter pressure, in the above Step 12, should not exceed the pressure originally observed on the filter when it was initially started. If after backwashing, the pressure is 4 to 6 PSI above the start condition, it will be necessary to chemically clean the sand bed.

Chemical Cleaning Procedure

1. It is recommended that an approved cleaner be used. Please contact your local pool chemical supplier or retail store for the proper cleaner.

These cleaners will remove oils, scale and rust from the sand bed in one cleaning operation.

2. Mix a solution following the manufacturers instructions on the label.
3. Backwash the filter as outlined on [page 8](#).
4. If the filter is below pool level, shut off the pump and close appropriate valving to prevent draining the pool.
5. Shut off pump, open filter drain and let filter drain. Place valve in backwash position.
6. After filter has drained, close filter drain and remove the pump strainer pot lid.
7. Ensure that the backwash lines are open.
8. Turn the pump on and slowly pour the cleaning solution into the pump strainer with the pump running.
9. Continue adding solution until the sand bed is saturated with cleaning solution. Replace lid on pump.
10. Shut off the pump and leave filter in backwash position. Allow filter to stand overnight (12 hours).
11. Replace the pump lid and follow backwash procedures on [page 8](#).
12. Do not allow the cleaning solution to get into the pool.

Winterizing your Filter

1. In areas that have freezing winter temperatures, protect the pool equipment by backwashing the filter.
2. After backwashing, shut the pump off, open the manual air bleeder on the closure and adjust the valve as follow:
 - a. On the Multiport Valves, move the handle of the valve to the Winterize Position (*).
 - b. On the Two Position Slide Valve, if possible, remove the valve piston assembly; clean, lubricate and store in a dry location for the winter.

***NOTE:** The Multiport valve should be left in the winterize position during shutdown season so the valve diverter has no pressure on the rubber seal.

3. On the TR40, 50, 60, and TR60 ClearPro, remove the wing-type plug on the bottom of the filter. On the TR100, TR100HD, TR100C, TR100C-3, and TR140, TR140C, TR140C-3, remove the 1½” drain plug cap. The filter will drain very slowly, and therefore, it is recommended that the drain plug be left out.
4. Drain all appropriate system piping.
5. We recommend covering the equipment with a tarpaulin or plastic sheet to inhibit deterioration from weather. Do **NOT** wrap pump motor with plastic.

Section 4

Troubleshooting

Use the following troubleshooting information to resolve possible problems with your Triton® Filter.



THIS FILTER OPERATES UNDER HIGH PRESSURE

When any part of the circulating system, (e.g., closure, pump, filter, valve(s), etc.), is serviced, air can enter the system and become pressurized. Pressurized air can cause the top closure to separate which can result in severe injury, death, or property damage. To avoid this potential hazard, follow these instructions:



1. If you are not familiar with your pool filtering system and/or heater:
 - a. **Do NOT** attempt to adjust or service without consulting your dealer, or a qualified pool technician.
 - b. Read the entire Installation & User's Guide before attempting to use, service or adjust the pool filtering system or heater.
2. Before repositioning valve(s) and before beginning the assembly, disassembly, or any other service of the circulating system: (A) Turn the pump **OFF** and **shut OFF** any automatic controls to ensure the system is NOT inadvertently started during the servicing; (B) open the manual air bleeder valve; (C) wait until all pressure is relieved.
3. Whenever installing the filter closure **FOLLOW THE FILTER CLOSURE WARNINGS EXACTLY.**
4. Once service on the circulating system is complete **FOLLOW INITIAL START-UP INSTRUCTIONS EXACTLY.**
5. Maintain circulation system properly. Replace worn or damaged parts immediately, (e.g., closure, pressure gauge, valve(s), o-rings, etc).
6. Be sure that the filter is properly mounted and positioned according to instructions provided.

NOTE: Turn off power to unit prior to attempting service or repair.

Problems and Corrective Actions

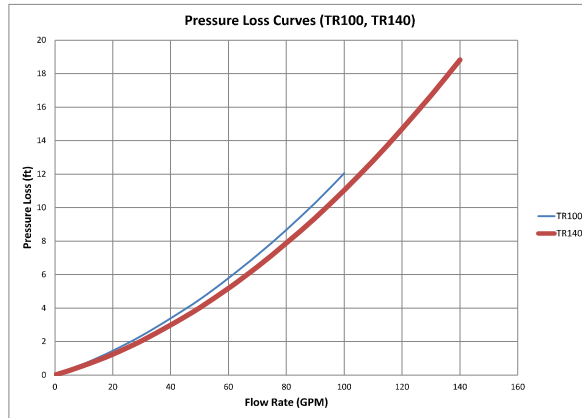
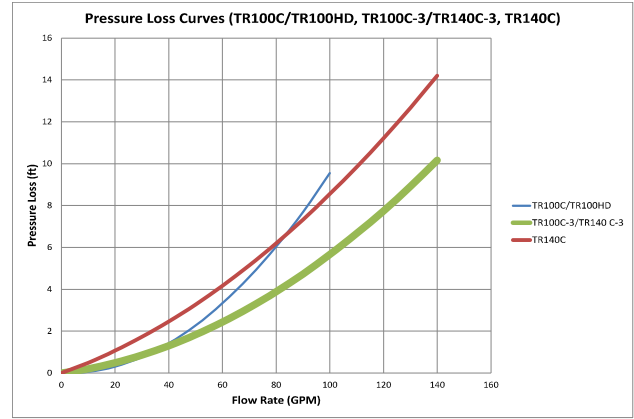
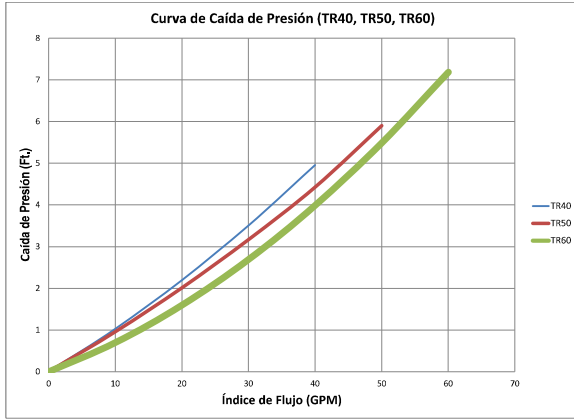
PROBLEM	CAUSE	REMEDY
Pool water not sufficiently clean	<ol style="list-style-type: none"> 1. Pool chemistry not adequate to inhibit algae growth. 2. Too frequent a backwash cycle. 3. Improper amount or wrong sand size. 4. Inadequate turnover rate. 	<p>Maintain pool chemistry or consult pool service technician.</p> <p>Allow pressure to build to 10 psi above clean filter condition before backwashing.</p> <p>Check sand bed Freeboard and sand size or consult a pool service technician.</p> <p>Run system for longer time or consult dealer or pool service technician.</p>
High filter pressure	<ol style="list-style-type: none"> 1. Insufficient backwashing. 2. Sand bed plugged with mineral deposits. 3. Partially closed valve. 	<p>Backwash until effluent runs clear.</p> <p>Chemically clean filter.</p> <p>Open valve or remove obstruction in return line.</p>
Short cycles	<ol style="list-style-type: none"> 1. Improper backwash. 2. Pool chemistry not adequate to inhibit algae growth. 3. Plugged sand bed. 4. Flow rate too high. 	<p>Backwash until effluent runs clear.</p> <p>Maintain pool chemistry or consult pool service technician.</p> <p>Manually remove top 1" surface of sand bed, replace with new sand and chemically clean entire sand bed as described in the Chemical Cleaning Procedure.</p> <p>Restrict flow to capacity of filter.</p>

PROBLEM	CAUSE	REMEDY
Return flow to pool diminished, low filter pressure	<ol style="list-style-type: none"> 1. Obstruction in pump hair and lint strainer. 2. Obstruction in pump. 3. Obstruction in suction line to pump. 	<p>Clean basket in pump strainer.</p> <p>Disassemble and clean pump.</p> <p>Clean skimmer basket. Remove obstruction in lines. Open valves in suction line.</p>
Sand returning to pool	<ol style="list-style-type: none"> 1. Broken under drain lateral. 	<p>Replace broken or damaged laterals.</p>
Sand loss to waste	<ol style="list-style-type: none"> 1. Backwash rate too high. 2. Improper sand size. 3. Air strainer is damaged or missing. 	<p>Reduce backwash flow rate.</p> <p>Change to proper sand.</p> <p>Replace damage components.</p>
Leak at closure	<ol style="list-style-type: none"> 1. Improperly tightened closure. 2. Dirt or contamination on sealing surface. 3. Damaged part. 	<p>Shut off pump, relieve tank pressure, open air bleeder, tighten closure properly.</p> <p>Shut off pump, relieve tank pressure, open air bleeder, remove closure and clean all sealing surfaces. Reassemble closure properly.</p> <p>Same as above except replace damaged o-ring, closure, tank or any combination of parts as required.</p>
Leak at bulkhead	<ol style="list-style-type: none"> 1. Improperly tightened bulkhead assembly. 2. Dirt or contamination on sealing surfaces. 3. Damaged part. 	<p>Shut off pump, relieve tank pressure, open air bleeder, remove closure and remove sand to access leaking bulkhead on TR40, 50, 60, TR60 ClearPro, 100, 100C, 140 or 140C. Hold the 2" bulkhead and tighten the 2" internal locknut. On the TR100C-3/TR140C-3, using the special wrench, P/N 154020, hold the 3" flange spacer and with wrench, P/N 154019, tighten the 3" flange adapter. Hand tighten plus 1/2 turn.</p> <p>Shut off pump, relieve tank pressure, open air bleeder, remove closure and remove sand to access leaking bulkhead. Remove attached tank internals and remove bulkhead assembly. Clean all mating surfaces and seals. Replace the bulkhead assembly, being careful to assemble properly. Tighten assembly as indicated above.</p> <p>Same as above except replace damaged part or combination of parts.</p>

Section 5

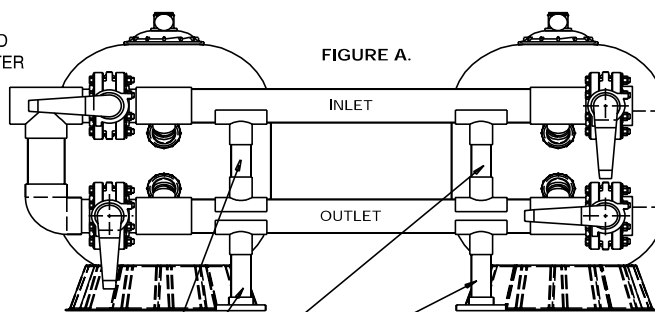
Replacement Parts

Pressure Drop Curve for the Triton® Series Fiberglass Sand Filters

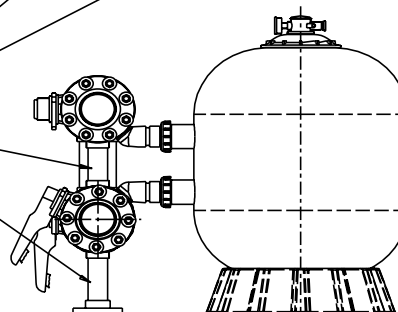


Installing Multiple Filters with Tandem Filter Piping Kits

CAUTION: WHEN MULTIPLE FILTERS ARE INSTALLED, WE HIGHLY RECOMMEND THE USE OF A PENTAIR TANDEM FILTER PIPING KIT. THESE KITS INCLUDE PLUMBING SUPPORTS (BETWEEN INLET AND OUTLET PIPING AND BETWEEN OUTLET PIPING AND FLOOR) TO ASSURE INTEGRITY OF THE INSTALLATION. SEE FIGURE A.



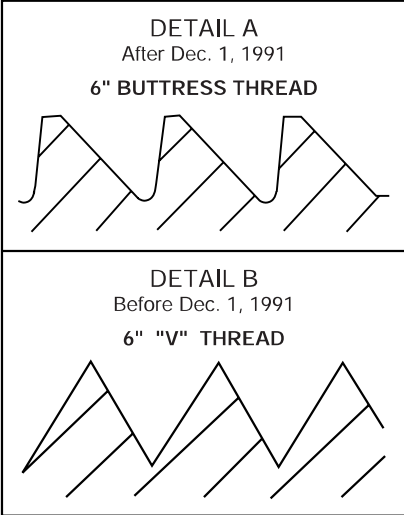
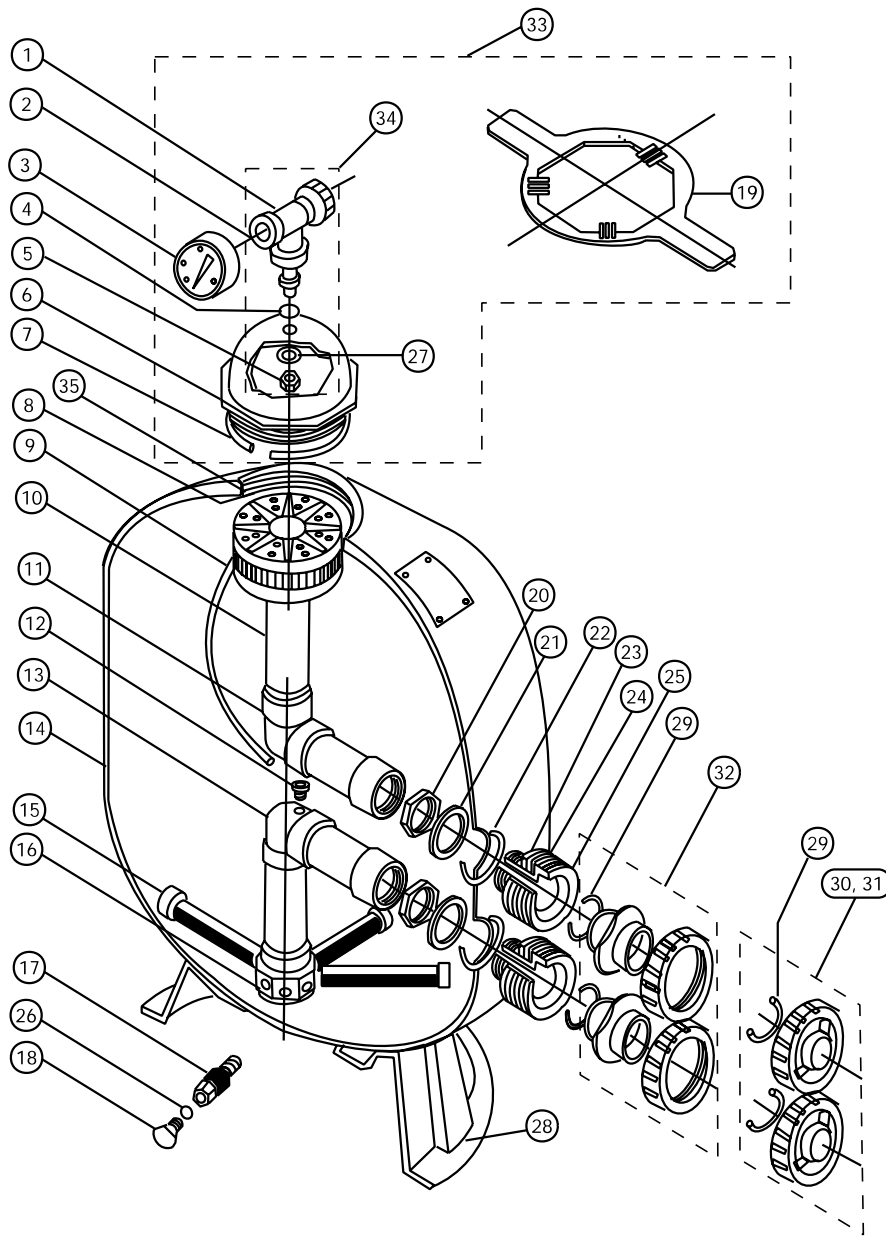
CAUTION: PENTAIR RECOMMENDS THE USE OF A TANDEM FILTER PLUMBING KIT(S) OR SOME SORT OF PLUMBING SUPPORT TO ASSURE PLUMBING INTEGRITY. FAILURE TO INCLUDE THESE SUPPORTS COULD VOID YOUR WARRANTY.



TRITON® II & TR60 CLEARPRO FIBERGLASS SAND FILTER

Replacement Parts

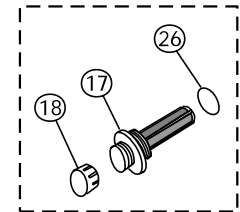
TR40
TR50
TR60
TR60 ClearPro
TR100
TR140



Filters manufactured after Dec 1, 1991 utilize a 6 in. buttress thread in the filter tank top opening and on the closure, see Detail A.

Filters manufactured before Dec 1, 1991 utilize a 6 in. "V" type thread, see Detail B.

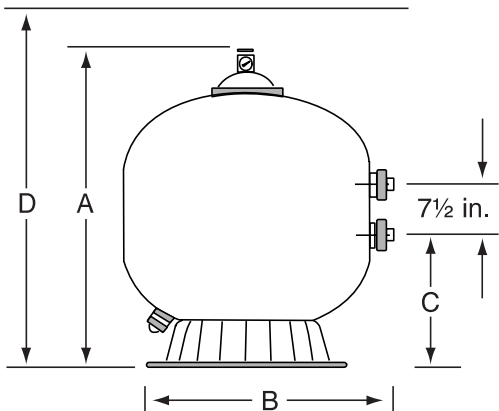
6 in. closures in Detail A. and B. are NOT interchangeable.



★ Used on TR100 and TR140 filters.

ENGLISH

Vertical Clearance Required



MODEL	A DIM.	B DIM.	C DIM.	D DIM.
TR40	30 ½ in.	19½ in.	10 ¾ in.	32 ½ in.
TR50	34 ¾ in.	21½ in.	11-7/8 in.	36 ¾ in.
TR60	35 ½ in.	24½ in.	13-5/8 in.	37 ½ in.
TR60 ClearPro	35 ½ in.	24½ in.	13-5/8 in.	37 ½ in.
TR100	39 ¾ in.	30½ in.	16 ¼ in.	41 ¾ in.
TR140	45 ¼ in.	36½ in.	18 ¾ in.	47 ¼ in.

Item No.	Part No.	TRITON II & TR60 CLEARPRO SAND FILTERS Description
1	154689	Air bleeder/tee assy.
2	154700	Adapter - brass air bleeder
3	155050	Gauge - back mount pressure
4	154661	O-ring - air bleeder adapter
5	154664	Nut - 3/8 in. - 16 s/s
6	154570	Closure - 6 in. buttress thread, see Detail A
6	154559	Closure - 6 in. "V" thread Blk., see Detail B
7	154493	O-ring closure, white
8	150035	Strainer ECL/TR
9	150039	Tube air relief TR40
9	150040	Tube air relief TR50/60
9	150041	Tube air relief TR100
9	150042	Tube air relief TR140
10	154598	Diffuser assy. TR40/50
10	154599	Diffuser assy. TR60
10	154462	Diffuser assy. TR100
10	154906	Diffuser assy. TR140
11	154803	Piping assy. upper TR40
11	156814	Piping assy. upper TR50
11	154533	Piping assy. upper TR60
11	154426	Piping assy. upper TR100
11	154500	Piping assy. upper TR140
12	150036	Connector air relief tube
13	154801	Piping assy. lower TR40
13	156816	Piping assy. lower TR50
13	154805	Piping assy. lower TR60
13	155284	Piping assy. lower TR60 ClearPro -1/4 Turn Lateral
13	154807	Piping assy. lower TR100
13	154489	Piping assy. lower TR140
14	154636	Tank & ft. assy. TR40 - 6 in. btr. thd., Detail A
14	154637	Tank & ft. assy. TR50 - 6 in. btr. thd., Detail A
14	154638	Tank & ft. assy. TR60 - 6 in. btr. thd., Detail A
14	154639	Tank & ft. assy. TR100 - 6 in. btr. thd., Detail A
14	154640	Tank & ft. assy. TR140 - 6 in. btr. thd., Detail A

TRITON® II and TR60 CLEARPRO FIBERGLASS SAND FILTER

Replacement Parts

TR40
TR50
TR60
TR60 ClearPro
TR100
TR140

NOTES

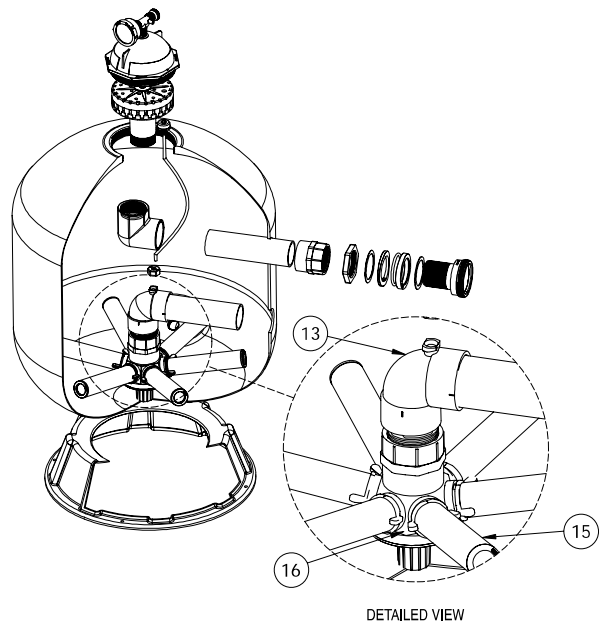
Filters manufactured after Dec 1, 1991 utilize a 6 in. buttress thread in the filter tank top opening and on the closure, see Detail A.

Filters manufactured before Dec 1, 1991 utilize a 6 in. "V" type thread, see Detail B.

6 in. closures in Detail A. and B. are NOT interchangeable.

To determine manufacture date, the first 4 digits of the serial number indicate the month and year product was manufactured.

TR60 ClearPro - 1/4 Turn Lateral for filters manufactured after May 15, 2007 utilize Lower Piping Assy. P/N 155284.



**Detail for Triton® II - TR60 Filters
with ClearPro Technology®**

Item No.	Part No.	TRITON II & TR60 CLEARPRO SAND FILTERS Description
15	152290	Lateral - 6 11/16 in. L TR40/50/60, 8 req.
15	150085	Lateral Assy. - 1/4 turn TR60, 6 req.
15	150088	Lateral Assy. - TR60 ClearPro, 6 req.
15	152202	Lateral - 9 1/8 in. L TR100, 8 req. ❷
15	154543	Lateral - 6½ in. L TR100, 8 req. ❶
15	154540	Lateral - 12 in. L TR140, 8 req.
16	154763	Hub Lateral TR40/50/60
16	152222	Hub Assy. TR60 ClearPro
16	154453	Hub Lateral TR100/140
17	152220	Sand drain 2 in. ❸
17	154698	Spigot ¾ in. NPT sand drain ❹
17	154685	Spigot ½ in. NPT sand drain ❺
18	154871	Cap thd. 1½ in. ❸
18	357161	Plug ¼ in. NPT drain
19	154512	Wrench 6 in. closure
19	154510	Wrench closure aluminum
19	151608	Wrench 8½ in. closure aluminum
20	154412	Locknut 2 in. internal, 2 req.
21	154416	Spacer 2 in. internal, 2 req.
22	154492	O-ring 2 in. bulkhead, 2 req.
23	154408	Spacer 2 in. external, 2 req.
24	154538	Gasket 2 in. bulkhead, 2 req.
25	154405	Bulkhead 2 in., 2 req.
26	274494	O-ring 3/16 in. X 2 5/8 in. i.d. ❸
26	192115	O-ring #2-12 air adapter
27	154418	Washer 3/8 in. s/s
28	154926	Foot 16 in. dia., TR40/50 (see NOTE 1)
28	154520	Foot 19 in. dia., TR60 (see NOTE 1)
28	154596	Foot 24 in. dia., TR100/140 (see NOTE 1)
29	274494	O-ring valve adptr., 2 req.
30	271092	2 in. thd. adptr. kit ❸
31	271094	1½ in. thd. adptr. kit ❸
32	271096	1½ in. & 2 in. slip adptr. kit ❸
33	154641	Kit closure, 6 in. buttress thd., Blk., DETAIL A
33	154697	Kit closure, 6 in. "V" thd., Tan, DETAIL B
33	154856	Kit closure, 8½ in. buttress thd., Blk.
34	154687	Fitting package complete (see NOTE 2)
35	154611	Spacer air vent strainer 3¾ in. TR40
35	154612	Spacer air vent strainer 4½ in. TR50/60
35	154613	Spacer air vent strainer 5½ in. TR100
35	154614	Spacer air vent strainer 5 in. TR140
	154402	Tape ft. mounting TR40/50/60, 3 req.
	154407	Tape ft. mounting TR100/140, 3 req.
	151602	Bulkhead wrench 2 in.
	154714	Bulkhead kit, include items 20-25

TRITON® II and TR60 CLEARPRO FIBERGLASS SAND FILTER

Replacement Parts

TR40
TR50
TR60
TR60 ClearPro
TR100
TR140

NOTES

Filters manufactured after Dec 1, 1991 utilize a 6 in. buttress thread in the filter tank top opening and on the closure, see Detail A.

Filters manufactured before Dec 1, 1991 utilize a 6 in. "V" type thread, see Detail B.

6 in. closures in Detail A. and B. are NOT interchangeable.

To determine manufacture date, the first 4 digits of the serial number indicate the month and year product was manufactured.

❶ Used on Filters manufactured before 5-85.

❷ Used on Filters manufactured after 5-85.

❸ Used on Filters manufactured before 3-83.

❹ Used on Filters manufactured after 3-83 thru 3-96.

❺ For Installations w/out Valve (Pair).

❻ Used on TR100 & 140 Filters.

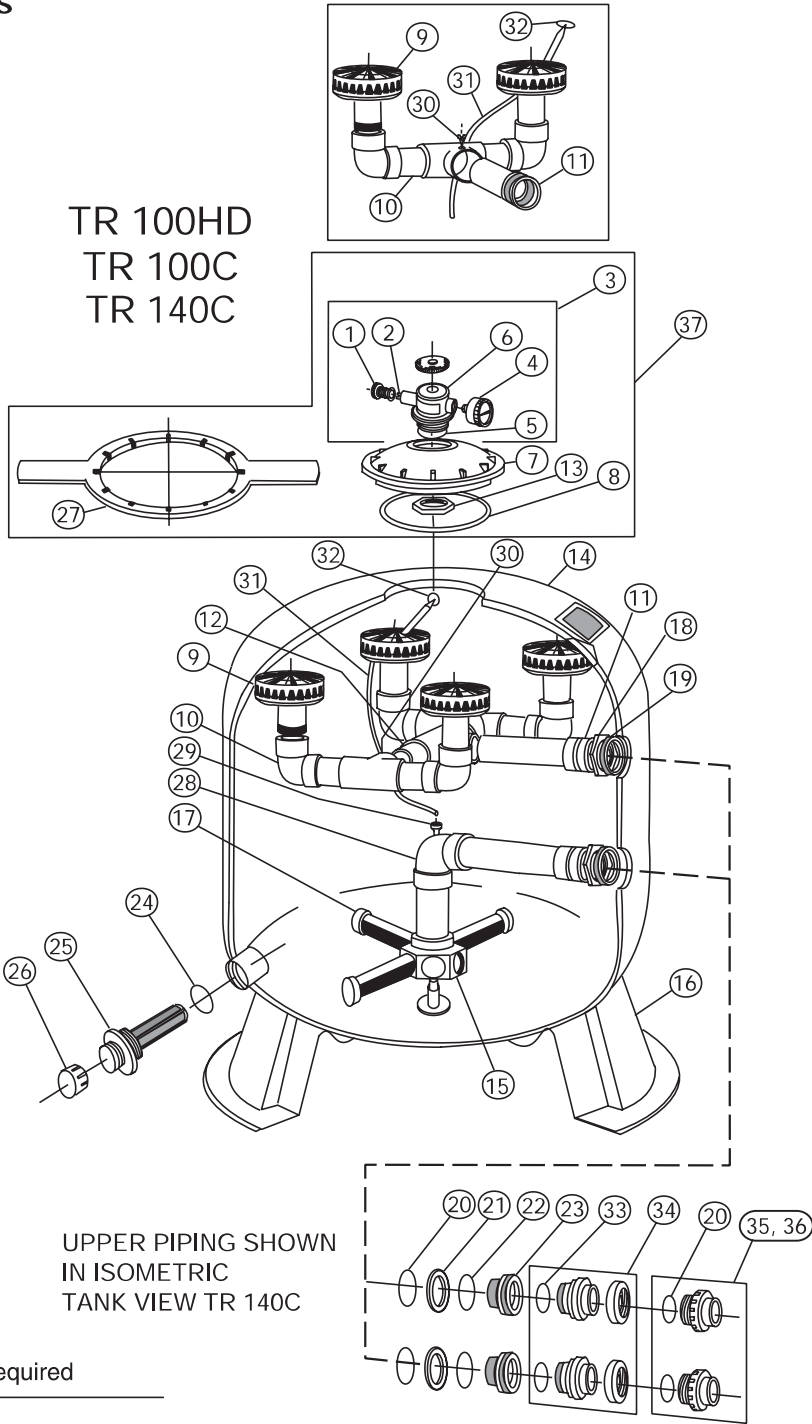
NOTE 1: Replacement of tank foot requires the use of foot mounting tape. See P/N's.

NOTE 2: Fitting package includes items 1, 2, 4, 5 and 27.

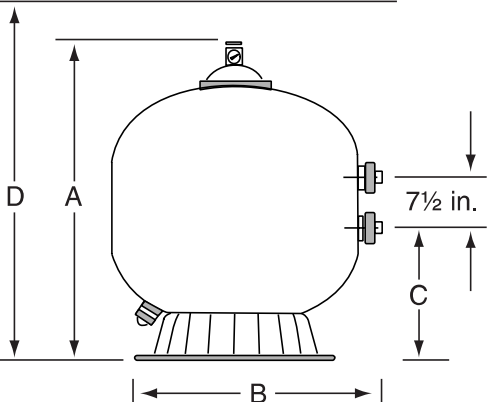
TRITON® 100HD, 100C & 140C FIBERGLASS SAND FILTER

Replacement Parts

TR100HD
TR100C
TR140C



Vertical Clearance Required



MODEL	A DIM.	B DIM.	C DIM.	D DIM.
TR100HD	39¾ in.	30½ in.	16¼ in.	41¾ in.
TR100C	39¾ in.	30½ in.	16½ in.	43¾ in.
TR140C	45¼ in.	36½ in.	18¾ in.	49¼ in.

TRITON® 100HD, 100C & 140C FIBERGLASS SAND FILTER

Replacement Parts

TR100HD
TR100C
TR140C

Item No.	Part No.	TR100HD, TR100C & TR140C SAND FILTERS Description
1	273512	Air bleeder w/ o-ring
2	273513	O-ring air bleeder screw
3	273564	Manual air relief body assy.
4	155050	Pressure Gauge
4	991481	Pressure Gauge TR100C/TR100HD ②
5	274494	O-ring 3/16 in. X 2-5/8 in. i.d..
6	273564	Valve body machined
7	154575	Closure 8½ in. buttress
8	152509	Square ring 8½ in.
9	154599	Diffuser TR100C/TR100HD ①
9	154599	Diffuser TR140C ①
10	156355	Piping assy. upper TR100C/TR100HD/ TR140C ①
11	156344	Piping assy. upper inlet TR100C/TR100HD/ TR140C
12	156354	Piping connecting assy. upper TR140C
13	154412	Nut 2 in. internal
14	153430	Tank & ft. assy. TR100C/TR100HD - 8½ in. btr. THD. - Blk
14	153431	Tank & ft. assy. TR140C - 8½ in. btr. THD. - Blk
14	156224	Tank & ft. assy. TR100HD - btr. thd. - Blk ②
15	154453	Hub lateral TR100C/TR100HD/TR140C
16	154596	Foot 24 in. dia. TR100C/TR100HD/TR140C
17	152202	Lateral 9 1/8 in. TR100C/TR100HD, 8 req.
17	154540	Lateral 12 in. TR140C, 8 req.
18	154412	Locknut 2 in. internal
19	154416	Spacer 2 in. internal
20	154492	O-ring 2 in. bulkhead
21	154408	Spacer 2 in. external
22	154538	Gasket 2 in. bulkhead
23	154405	Bulkhead 2 in.
24	274494	O-ring 3/16 in. X 2 5/8 in. i.d.
	154407	Tape ft. mounting
25	152220	2 in. sand drain
26	154871	Cap thd. 1½ in.
27	154527	Wrench 8½ in. closure
27	151608	Wrench 8½ in. aluminum
28	154807	Piping assy. lower TR100C/TR100HD
28	154489	Piping assy. lower TR140C
29	150036	Connector air relief tube

Item No.	Part No.	TR100HD, TR100C & TR140C SAND FILTERS Description
30	273071	Screw #14 18-8 TR100C/TR100HD ①
31	150041	Tube air relief TR100C/TR100HD
31	150042	Tube air relief TR140C
32	150035	Strainer air relief
33	274494	O-ring valve adptr.
34	271096	1½ in. & 2 in. slip adptr. kit for inst. w/o valve (pair)
35	271092	2 in. thd. adptr. kit for inst. w/o valve (pair)
36	271094	1½ in. thd. adptr. kit for inst. w/o valve (pair)
37	154856	Kit closure 8½ in. btr. THD. - Blk.
37	155738	Kit closure 8½ ②

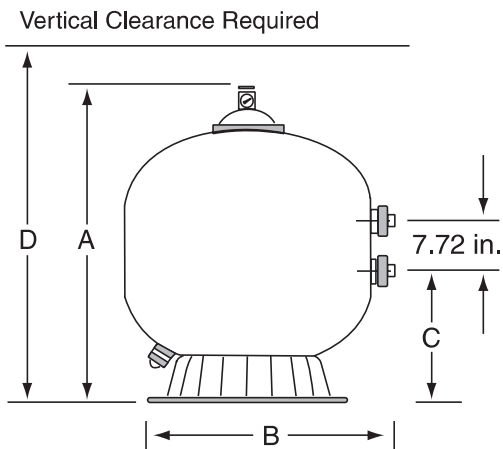
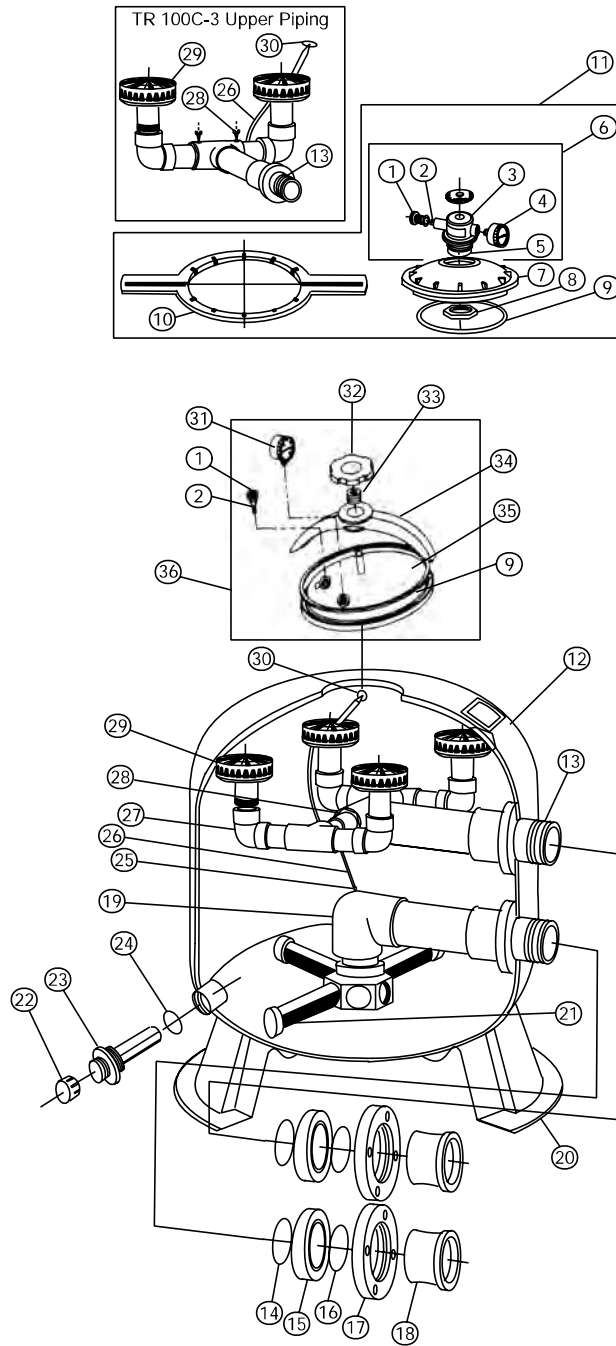
NOTES

- ① Different quantities required for TR100C and TR140C Filters.
- ② Used on TR100HD Filters

TRITON® 100C-3 & 140C-3 FIBERGLASS SAND FILTER

Replacement Parts

TR100C-3
TR140C-3



MODEL	A DIM.	B DIM.	C DIM.	D DIM.
TR100C-3	39¾ in.	30½ in.	16-1/16 in.	43¾ in.
TR140C-3	45¼ in.	36½ in.	18½ in.	49¼ in.

Item No.	Part No.	TRITON 100C-3 & 140C-3 SAND FILTERS Description
1	273512	Air bleed with o-ring ②③
2	273513	O-ring air bleeder screw ②
3	273564	Valve body machined ②
4	155050	Pressure gauge ②
5	154494	O-ring adapter, 6 in. ②
6	273564	Manual air relief assy. ②
7	154575	Closure 8½ in. ②
8	154412	Nut 2 in. internal ②
9	152509	Square ring closure ②③
10	154527	Wrench 8½ in. closure ②
11	154856	Kit 8½ in. closure buttress thd. ②
11	156842	Kit 8½ in. closure w/gasket ④
12	153430	Tank & ft. assy. TR100C-3 - buttress
12	153431	Tank & ft. assy. TR140C-3 - buttress
13	154007	Upper piping assy. TR100C-3
13	154008	Upper piping assy. TR140C-3
14	154005	O-ring Parker 2-343, 2 req.
15	154002	Spacer 3 in., 2 req.
16	154004	O-ring Parker 2-342, 2 req.
17	154003	Flange 3 in., 2 req.
18	154001	Adapter flange 3 in., 2 req.
19	154009	Lower piping assy. TR100C-3
19	154010	Lower piping assy. TR140C-3
20	154596	Foot 24 dia. TR100C-3/140C-3
21	152202	Lateral 9 in. TR100C-3, 8 req.
21	154540	Lateral 12 in. TR140C-3, 8 req.
22	154871	Cap thd. 1½ in.
23	152220	Sand drain 2 in.
24	274494	O-ring 3/16 in. X 2 5/8 in. i.d., 2 req.
25	154441	Connector air relief tube
26	150041	Tube air relief TR100C-3 (23 in.)
26	150042	Tube air relief TR140C-3 (27 in.)
27	154018	Diffuser piping assy. TR140C-3, 2 req.
28	552474	Screw - #10-1½ in. flathead phillips, 2 req.
29	154599	Diffuser - 2 req'd. for TR100C-3
29	154599	Diffuser - 4 req'd. for TR140C-3

TRITON® 100C-3 & 140C-3 FIBERGLASS SAND FILTER

Replacement Parts

TR100C-3
TR140C-3

Item No.	Part No.	TRITON 100C-3 & 140C-3 SAND FILTERS Description
30	150035	Strainer ELC/TR
31	190058	Pressure Gauge, ¼ in. psi ⑤
32	154581	Knob TR oval ⑤
33	154582	Spring TR oval ⑤
34	154579	Bridge TR oval ⑤
35	154576	Closure-oval ⑤
36	156841	Kit TR oval closure ①③

NOTES

- ① P/N 156841 includes items: 1, 9, 31 thru 35.
- ② Used on filters manufactured before 3-97.
- ③ Used on filters manufactured after 3-97.
- ④ Used on filters manufactured after 4-15.

NOTES

SAVE THESE INSTRUCTIONS



1620 HAWKINS AVE., SANFORD, NC 27330 • (919) 566-8000
10951 WEST LOS ANGELES AVE., MOORPARK, CA 93021 • (805) 553-5000
WWW.PENTAIRPOOL.COM

© 2015 Pentair Water Pool and Spa, Inc. All rights reserved. Tous droits réservés. Todos los derechos reservados.

This document is subject to change without notice. Ce document pourra être modifié sans préavis. Este documento está sujeto a cambios sin previo aviso.



P/N 154901 REV. H 3/18/15